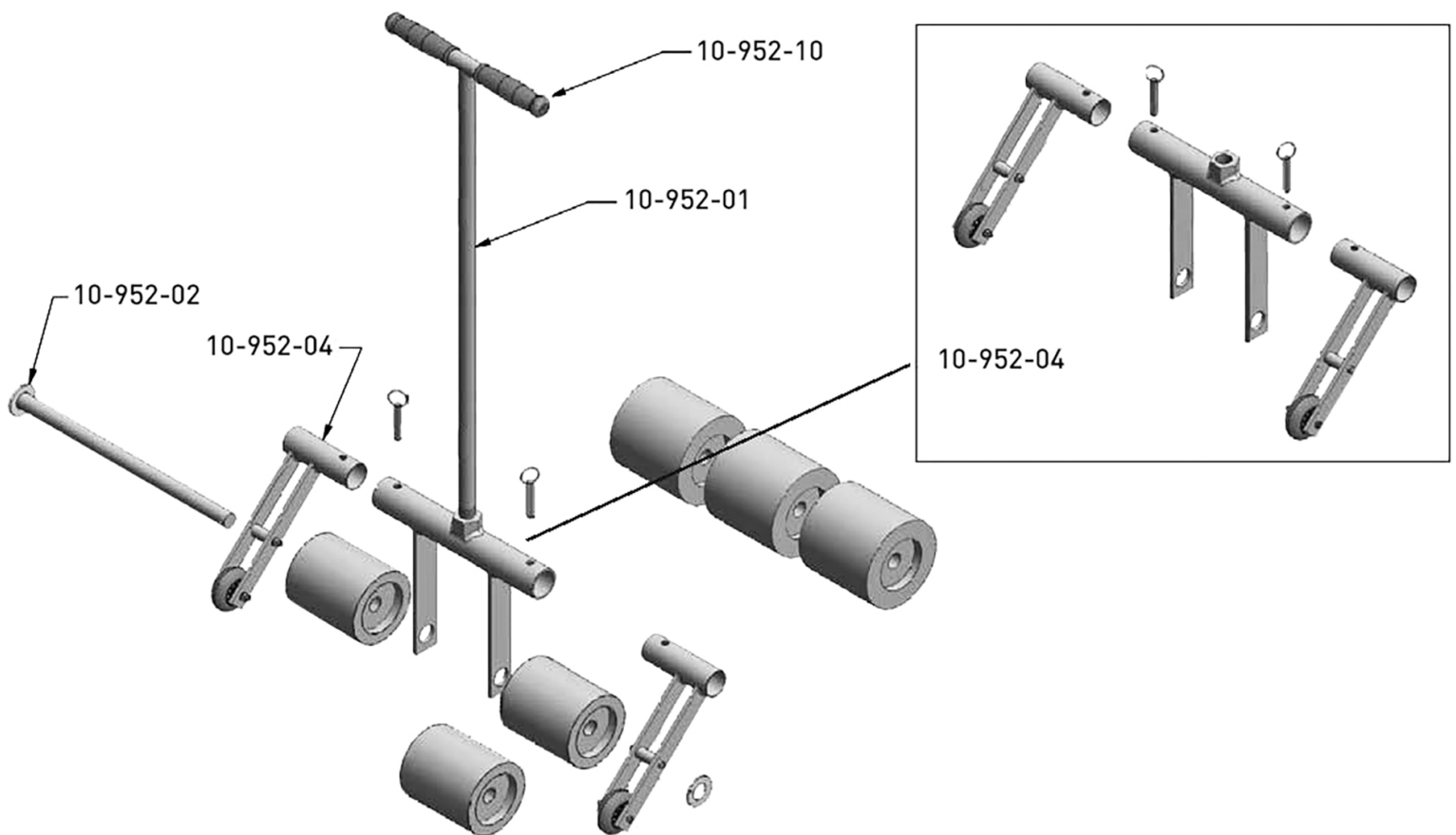


10-935 | 10-950 | 10-952

35 lb., 75 lb., & 100 lb. Vinyl and Linoleum Floor Roller



REPLACEMENT PARTS LIST

Part #	Description
10-952-01	Yoke & Handle Assembly (includes handle and central yoke)
10-952-02	Axle Assembly (includes axle, washer, and cotton pin)
10-952-04	Transport Wheel Assembly Kit (includes central yoke, left & right kickstands with 2 pins)
10-952-10	Rubber Handle Grips (2-pieces)