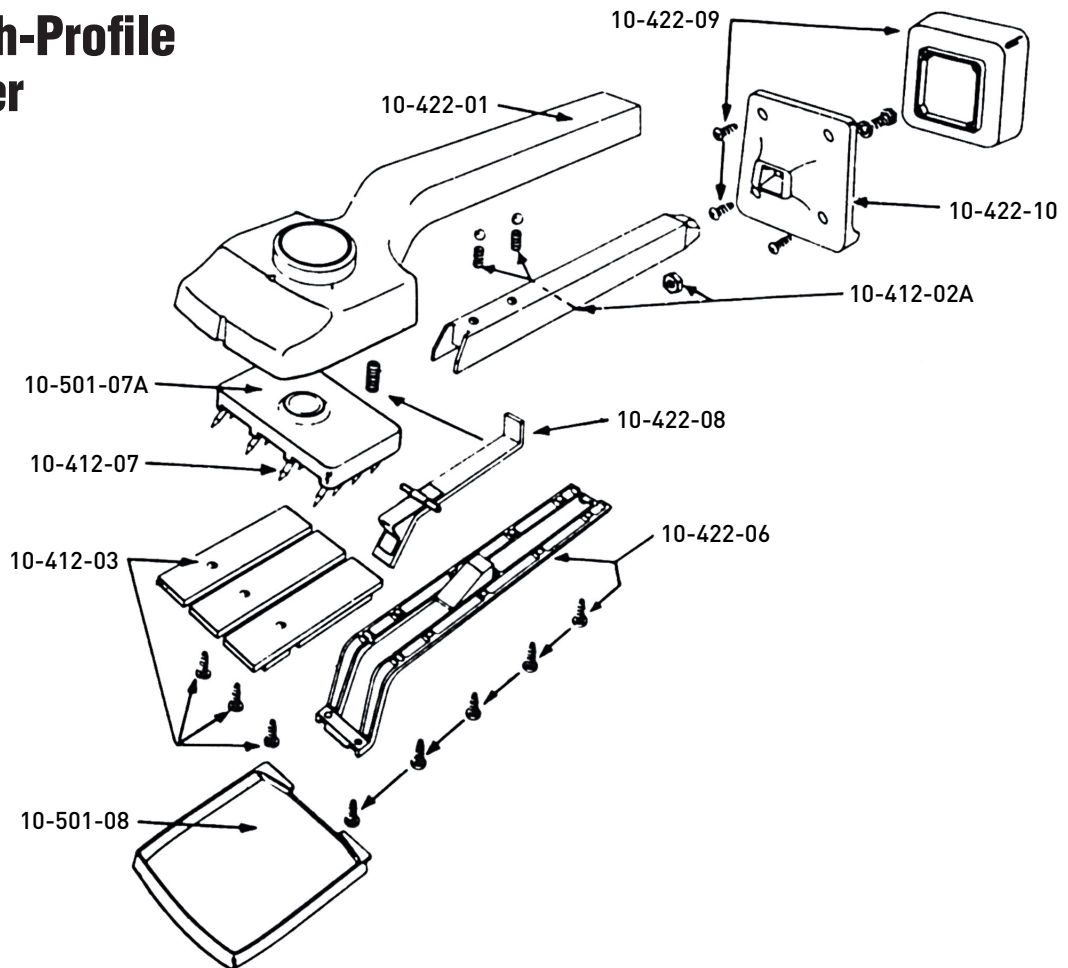


10-422BK

Deluxe High-Profile Knee Kicker



REPLACEMENT PARTS LIST

| Part # | Description |
|------------|---|
| 10-422-01 | Main Body & Dial Assembly |
| 10-412-02A | Extension Channel |
| 10-412-03 | Nap Grip Inserts (set of 3 with screws) |
| 10-501-07A | Base Plate Assembly |
| 10-501-08 | Pin Cover |
| 10-422-06 | Bottom Plate (with 10 screws) |

| Part # | Description |
|-----------|---------------------------------|
| 10-412-07 | Kicker Teeth |
| 10-422-08 | Trigger Assembly (with spring) |
| 10-422-09 | Bumper Assembly (with 4 screws) |
| 10-422-10 | Bumper Body |
| 10-412-12 | Bumper Screws |